

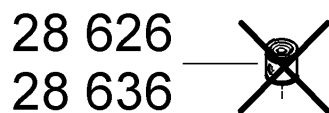
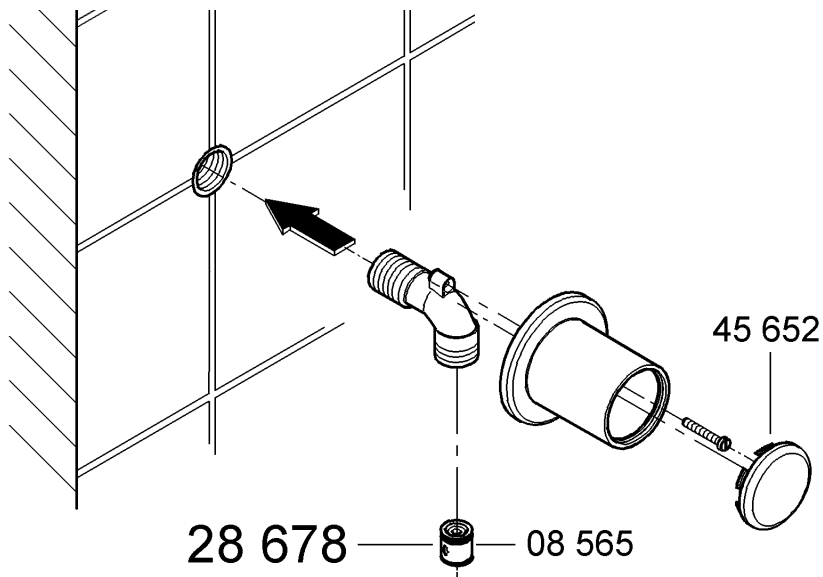
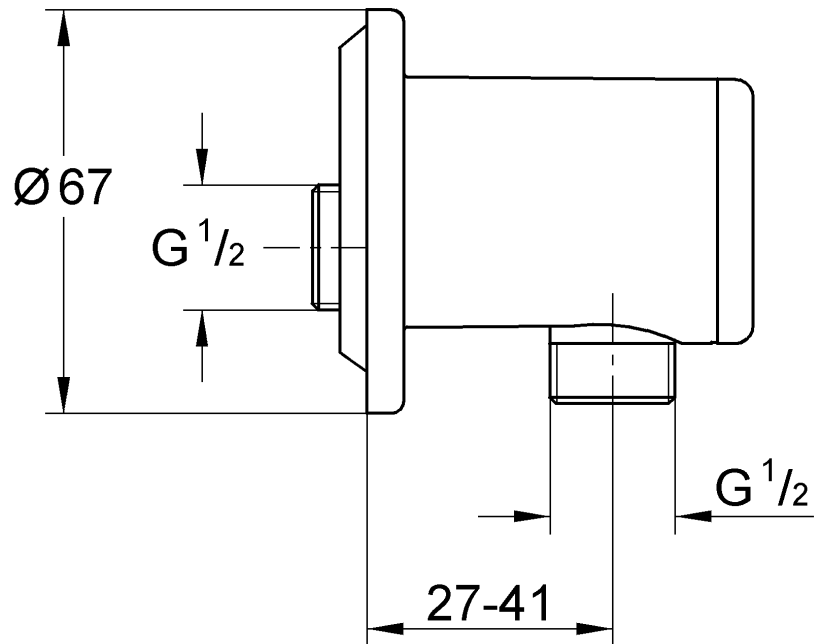


WATER TECHNOLOGY

28 626

28 636

28 678





WATER TECHNOLOGY

28 671
28 680

